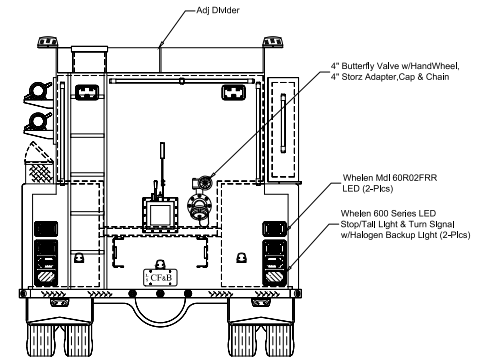
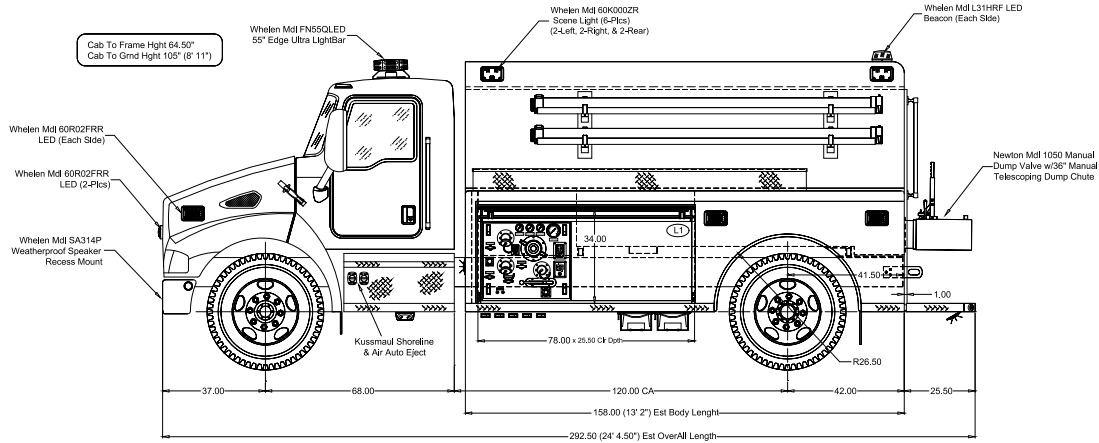
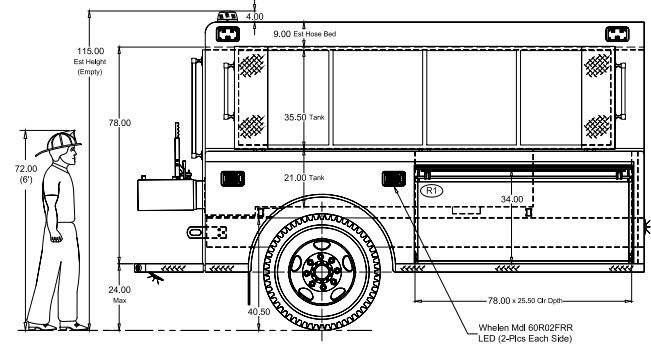
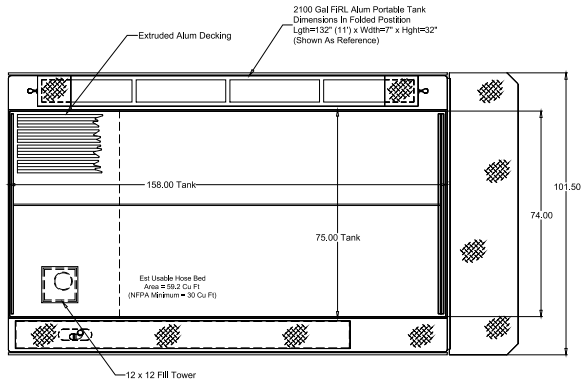


GENERAL NOTES

- All Compts Will Have Automatic Light, Vents, & Alum Drip Molding Above Each Door
- Each Compt Will Have One (1) Pair Of Adjustable Alum Shelf Tracking
- Alum Diamond Plate "C" Channel Rub Rail w/1/8" Air Gap Between Body (Bolt-On)
- Unit To Have Polished Aluminum Fenderettes (Bolt-On)
- Unit To Have Four (4) Ground Lights - Two (2) Under Cab Steps & Two (2) Under Rear Step
- Unit To Have Four (4) Step Lights, Two (2) At Cab Steps & Two (2) Above Rear Step
- Unit To Have Two (2) Engine Compartment Lights
- Unit To Have Back-Up Alarm, Rear Warning Stgn, & Reflectors Installed
- Unit To Have LED Rear Cluster (Marker) Light (5-Pics)
- Unit To Have Two (2) Rear Tow Eyes Attached To Chassis Frame
- "Turtle Tile" Decking Will Be Installed In Each Compt, Tray, & Shelf
- Apply Lettering & Reflective "Scotchlite" Striping (See Spec)
- Undercoat Entire Apparatus Body
- Touchup Paint To Be Provided
- Install - Ignition Key On Chain (NFPA-1901 Section 14.3.4.1(14))
- Install - Whelen Mdl 295LSA1 Warning Siren In Cab
- Install - Kussmaul AutoCharge 1000 In Cab Area
- Install - HALE AP 500-GPM Sngle Stage PTO Pump
- (3" Tank to Pump & 2" Pump to Tank)



RESTRICTIONS	
None	Maximum Height
None	Maximum Length
102"	Body Width

2008 KENWORTH T300 4x2 Cab & Chassis (188 WB)
SHOWN AS REFERENCE ONLY

CFB
CUSTOM FAB & BODY LLC

158 US HWY 45
MARION, WI 54950
715-764-2516
FAX 715-764-2503

Order To Fill: _____ Unit Number: # _____
Date: 03-21-2008 _____
By: _____

2000 Gal "Poly" Wet-Side Slide-Mnt Pumper/Tender

CUSTOM FAB & BODY 2008 Demo 1
MARION, WI 0396

Dimensions shown are approximate and may be subject to minor deviations that occur during construction. We reserve the right to make minor Dimensional, Design, & Component changes for Quality Enhancement. Minor details not shown.

Customer Approval: Name _____

Title _____ Date _____ Paint No. _____

ESTIMATED AXLE WEIGHTS (LOADED)

Front Axle: 13,001 LBs (35%)
Rear Axle: 24,573 LBs (65%)
Est Total Weight: 37,574 LBs

ESTIMATED TANK CAPACITIES

Water: 2,023 GALS
Foam: Not Applicable

(NOTE: All Calculations Are Estimates Only, And Are Based On The Best Available Data.)

These Drawings and Specifications are the sole property of CUSTOM FAB & BODY LLC and shall not be Reproduced, or Copied, or Used as the basis for the manufacture or sale of units described herein without Written Permission.